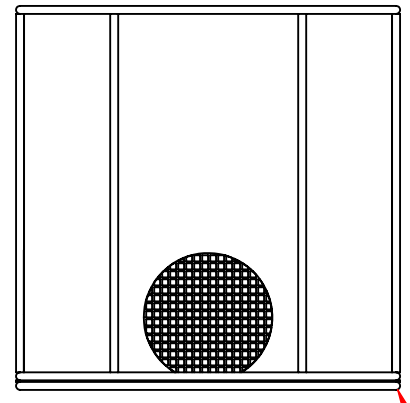
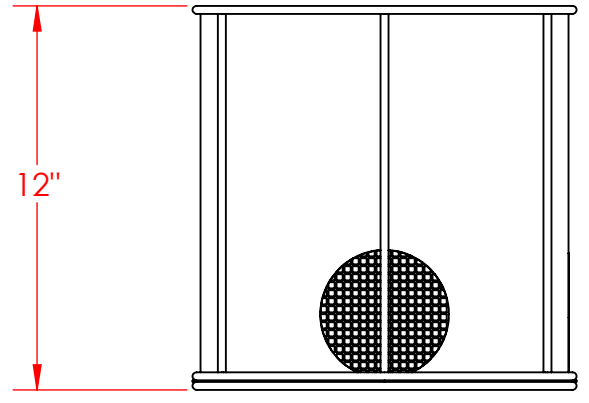
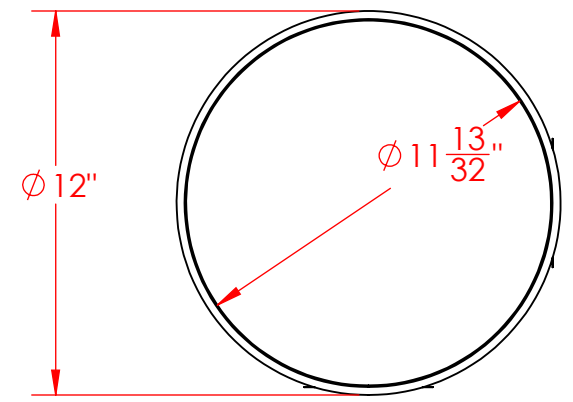


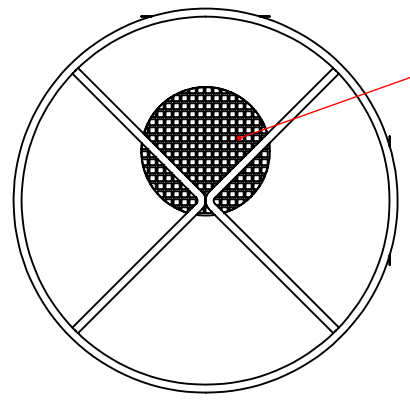
8 7 6 5 4 3 2 1

D  
C  
B  
A

D  
C  
B  
A



$\phi \frac{1}{4}''$   
Rod Frame



Lined Bottom and Sides with  
4 Mesh x .063" Woven Wire  
(.187" Openings, 56% Open Area)

UNLESS OTHERWISE SPECIFIED:  
DIMENSIONS ARE IN INCHES  
TOLERANCES:  
FRACTIONAL  $\pm 1/16''$   
ANGULAR:  $\pm 5$  DEG.  
TWO PLACE DECIMAL  $\pm 0.03$   
THREE PLACE DECIMAL  $\pm 0.015$

EST WGT  
6.8 lbs.  
MATERIAL  
304 Stainless Steel  
FINISH  
Natural

Round Wire Mesh Basket: 12Dia. x  
12H, 304 SS, 1/4 Rod Frame, No  
Handles, Mesh: 4 x .063

**PROPRIETARY AND CONFIDENTIAL**  
THE INFORMATION CONTAINED IN THIS  
DRAWING IS THE SOLE PROPERTY OF  
THREE M TOOL. ANY REPRODUCTION IN  
PART OR AS A WHOLE WITHOUT THE  
WRITTEN PERMISSION OF THREE M TOOL  
IS PROHIBITED.

DO NOT SCALE DRAWING

SIZE **B** DWG. NO.  
TMT-120RND120-N04S

SCALE: 1:6

SHEET 1 OF 1

8 7 6 5 4 3 2 1